

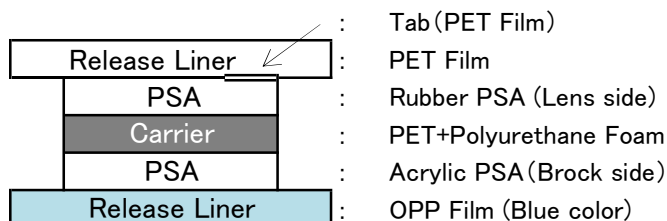
PSA double coated tape for eyeglass lens edging

Blocking Pad / Rikipad 16JS

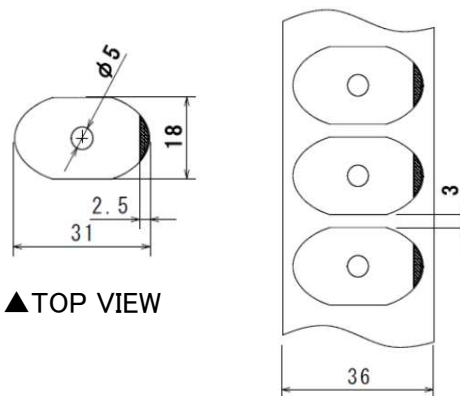
1. Features

- Rikipad 16JS is developed as fixing material using for edging eyeglass lens.
- Rikipad 16JS have good performance for preventing angle twisting of various eyeglass lens after edging.
- Rikipad 16JS is easy to handle and have no-residue on the lens after edging.
- Rikipad 16JS can be used for high super-hydrophobic coating lens without using anti-slip sheet.

2. Composition



▲ CROSS SECTION



▲ TOP VIEW

3. Specification

- 1,500 pieces / Roll (3 inch core)
- 6,000 pieces / carton package

4. Adhesive Properties

Measurement items		Rikipad 16JS	
		Block side	Lens side
90° peel strength (N/25mm)	SUS	2.5	18.0
Holding power (mm/1440min)	SUS	NC	NC

※The property values described in this document are actual measurements measured by us, not guaranteed values. Please consider and confirm whether the product is suitable for the intended use before use.

【Measurement condition】 *Compliant with JIS Z 1528

- Peel strength : Attach 25mm wide sample to the adherend (2kg rubber roller is pressure-bonded once at a speed of 300mm/min.). Leave it for 30minutes under 23° C x 50% RH conditions, and peel off by 90° at a speed of 300 mm/min. and measure the value.
- Holding power : Attach a 25mm x 25mm sample to the adherend (2kg rubber roller/ 300mm/min. speed once for each direction), After leaving for 30min. Under the condition of 40°C, and then apply a load of 1kg for 24hrs, and measure the shifted length.

5. Caution

【Handling precautions】

- Store in a cool and dark place away from high temperature and direct sunlight.

【Safety and hygiene precautions】

- Do not stick directly on the skin.
- Before using, please wipe any oil, moisture and dust etc. on the adherent surface.
- If the usage environment is low temperature, it may be difficult to attach. Please store and use at room temperature in winter.
- Please read the Safety Data Sheet (SDS) before use. Please ask the sales department for SDS.

VIGteQnos
VIGteQnos Co., Ltd.

Head Office / Main Plant 166-17 Shiroyamadai, Gose City, NARA, JAPAN 639-2261
TEL: +81-745-66-2300 FAX: +81-745-66-2309
TOKYO Office 4F, 1-4-1 Uchikanda, TOKYO, JAPAN 101-0047
TEL: +81-33295-8235 FAX: +81-3-3295-9659
OSAKA Office 6F, 1-8-2 Bakuromachi, Chuou-Ku, OSAKA, JAPAN 541-0059
TEL: +81-6-6266-5582 FAX: +81-6-6266-5185